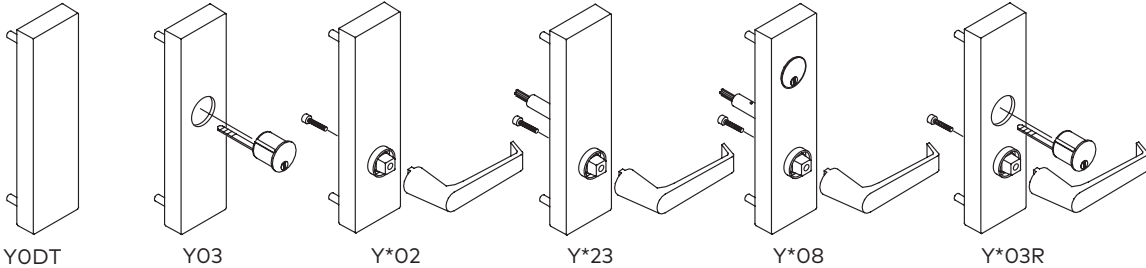


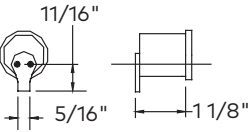
# Installation Instructions

## 9000 Series Lever Trim

See proper trim template when required. Several lever styles available see catalog.



**Cylinder specifications, installation and handle installation.**



95060028 Cylinder nut

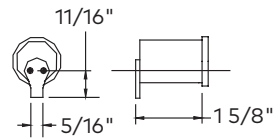
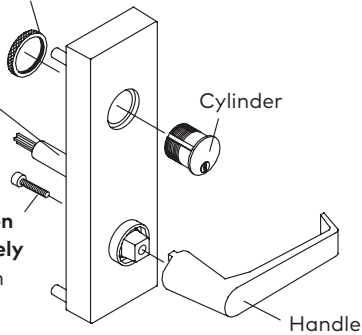
Standard trim

**IMPORTANT**

**Note:** Drive pin must be installed in vertical position when installing 08/09 trims.

**Tighten Securely**

**Note:** Install trim in un-locked or active position.



Mortise trim

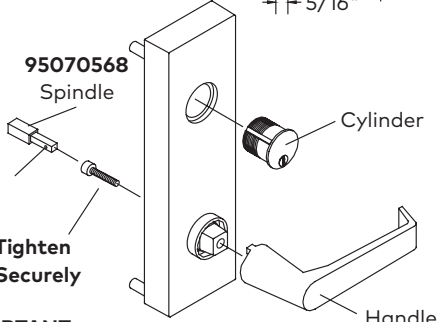
**Nylon plug must face sideways. Tap spindle in with hammer.**

95070568 Spindle

**Tighten Securely**

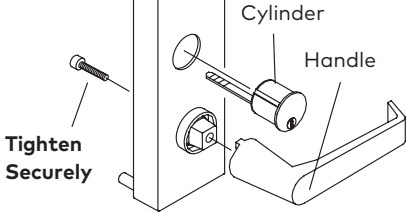
**IMPORTANT**

**Note:** All lever handles except for "clutch" are shipped unattached. To install; **Place handle in desired position and attach with allen screw located in back of trim plate.** 5/32" Allen wrench required. To change hand on "clutch" trim rotate and "break" lever around to desired hand.



Standard "03" trim

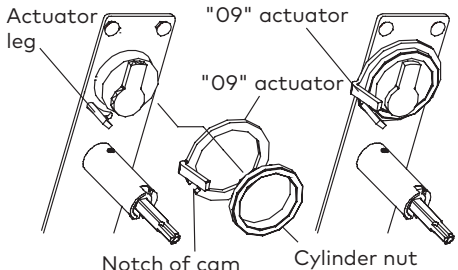
**Note:** If door is less than 2 1/4" thick tailpiece will have to be cut down.



**Tighten Securely**

**"09" Function (for cylinders without removable cam).**

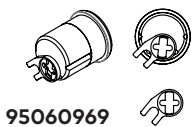
Insert mortise cylinder through trim, then install "09" actuator as shown, place notch of cam around leg of actuator and install new cylinder nut.



**"09" Function with removable cams**



95059640  
76012513 Cam for standard mortise cylinder



95060969  
76012514 Cam for IC mortise cylinders

Due to individual cam configurations and cylinder lengths, the leg of the "09" actuator may have to be bent slightly to function properly. **95059478 "09" Pack**

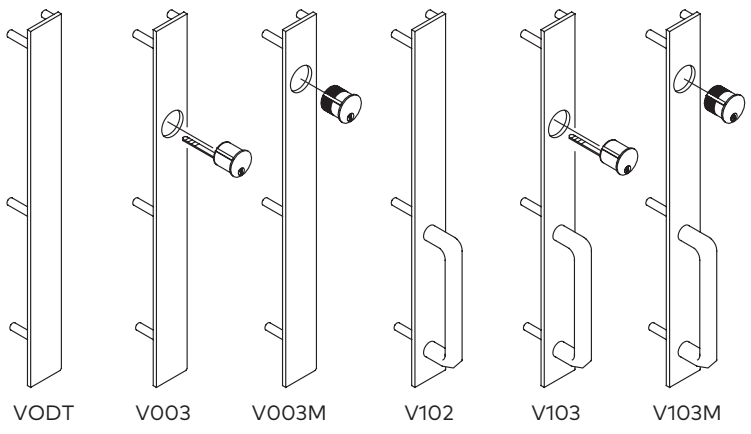
# Installation Instructions

## 9000 Series Lever Trim

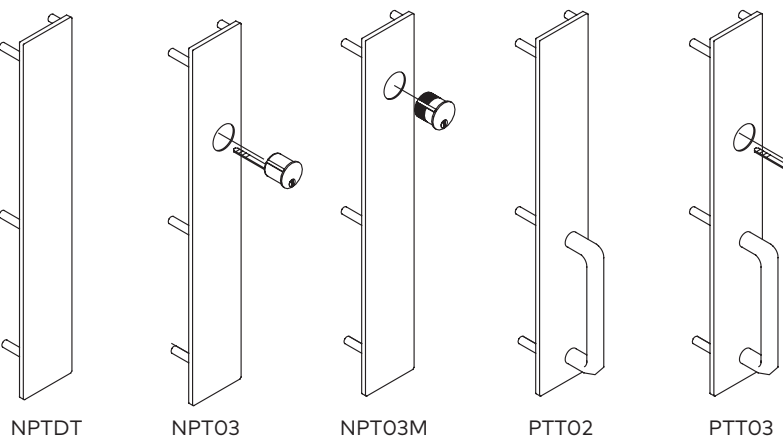
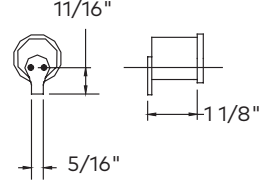
Cylinder specifications, installation and handle installation. See proper template when required.

Rectangular grips not shown, replace "T" with "R", ie. HRT05M

Note: For concealed vertical rod devices. Add "CV" to trim designation. ex. HTT05CV

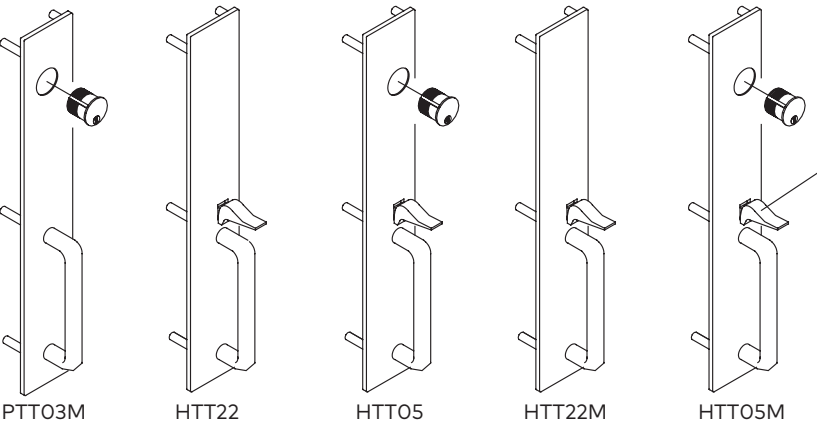
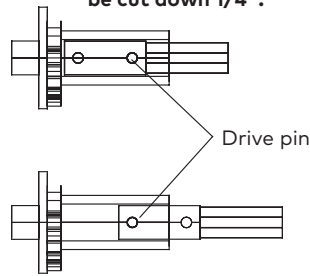


Note: For use of cylinders over 1 3/8" in length, a spacer ring is required on exterior side of trim.



Note: If door is less than 2 1/4" thick tailpiece will have to be cut down.

Note: T rim shipped standard for 1 3/4" thick doors, for 2-2 1/4" thick doors lengthen inner spindle as shown. On 2" thick doors spindle will have to be cut down 1/4".



On 22M and 05M trims, thumb piece is held in place by a band for shipping. Remove prior to installing trim in door. Thumb piece will remain in place once installed.

For "06" function on "T" trim see detail on reverse side for installing cam as on "09" function. Note; Individual cam on rear of cylinder cannot be used on "T" trim.